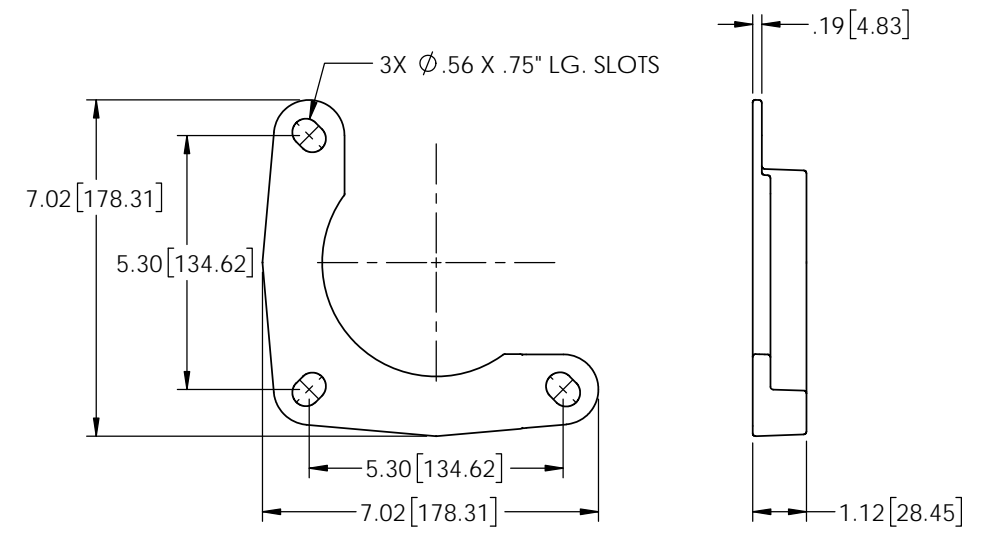
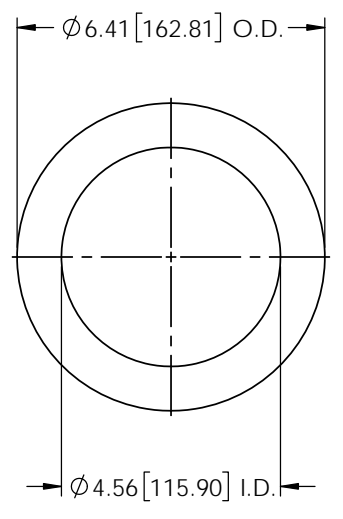


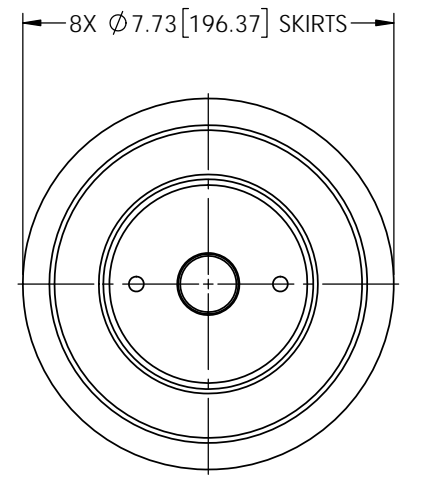
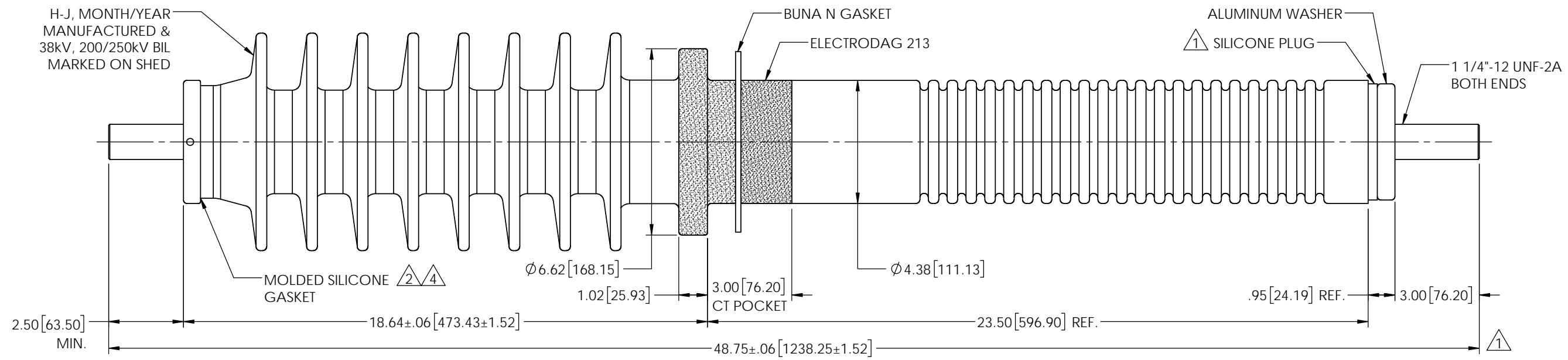
REVISIONS					
REV.	DATE	ECN #	DESCRIPTION	BY	APPROVED
1	5/16/2022	HJ22-079	CHANGE TO MOLDED SILICONE GASKET & PLUG, 48.75 WAS 48.43	CLS	CJT
2	5/25/2022	HJ22-089	REVERT TO GARLOCK GASKET	CLS	CJT
3	7/8/2022	HJ22-131	NOTED CREEP & STRIKE AS MINIMUM, BOTTOM STRIKE VALUE WAS 21.14	CLS	CLS
4	3/21/2023	HJ23-062	CHANGE TO MOLDED SILICONE GASKET	CLS	MP



ROOF MOUNTING FLANGE
 REQUIRED: 2 PER ASSEMBLY
 MATERIAL: ALUMINUM



BUSHING TO ROOF GASKET
 REQUIRED: 1 PER ASSEMBLY
 MATERIAL: .19" ±.020" NITRILE BUNA N



TECHNICAL CHARACTERISTICS	
SPECIFICATIONS	VALUE
RATED MAXIMUM VOLTAGE	38kV
RATED CONTINUOUS CURRENT	1200A
BASIC IMPULSE LEVEL (BIL)	200kV
RATED FREQUENCY WITHSTAND (DRY) - 60s	80kV
RATED FREQUENCY WITHSTAND (WET) - 10s	75kV
CREEP DISTANCE (MINIMUM)	
TOP	40.86" [1037.72mm]
BOTTOM	24.54" [623.31mm]
STRIKE DISTANCE (MINIMUM)	
TOP	17.08" [433.83mm]
BOTTOM	20.35" [516.89mm]
CANTILEVER OPERATING LOAD	625N
CANTILEVER TEST LOAD	1250N
INSTALLATION TORQUE	130 in-lb
PORCELAIN COLOR	GRAY - MUNSELL 5BG 7.0/0.4
APPROXIMATE WEIGHT	64.5lb [29.3kg]

COMPONENTS	MATERIAL
INSULATOR	WET PROCESS PORCELAIN
CONDUCTOR	COPPER C11000, TIN PLATED
TERMINAL	
TOP	TIN PLATED
BOTTOM	TIN PLATED
GASKET	NITRILE BUNA N
CLAMP	ALUMINUM

NOTES:
 1. PORCELAIN TOLERANCE ±3% WITH NOTHING LESS THAN ±.03", UNLESS OTHERWISE NOTED.
 2. ASSEMBLY INCLUDES (2) EXTRA BRASS NUTS & (2) EXTRA BRASS WASHERS, PACKED IN BULK.

THIRD ANGLE
 PROPRIETARY AND CONFIDENTIAL
 THE INFORMATION CONTAINED IN THIS DRAWING IS THE SOLE PROPERTY OF H-J ENTERPRISES, INC. ANY REPRODUCTION IN PART OR AS A WHOLE WITHOUT THE WRITTEN PERMISSION OF H-J ENTERPRISES, INC. IS PROHIBITED.

TOLERANCES (EXCEPT AS NOTED)
DECIMAL
± .032"/.8mm
FRACTIONAL
±
ANGULAR
± 2 Degrees



H-J ENTERPRISES, INC.			
3010 HIGH RIDGE BLVD. HIGH RIDGE, MO. 63049 USA PHONE 1-636-677-3421 FAX 1-636-376-1915			
AIR-TO-AIR PORCELAIN BUSHING ASSEMBLY 200kV BIL • 38kV • 1200A			
MATERIAL SEE DRAWING			
CHK'D	LO	APP'D	DRAWING NO.
		06/11/20	AS1462-026
DRAWN BY		DATE	SCALE
CLS		06/11/2020	N.T.S.